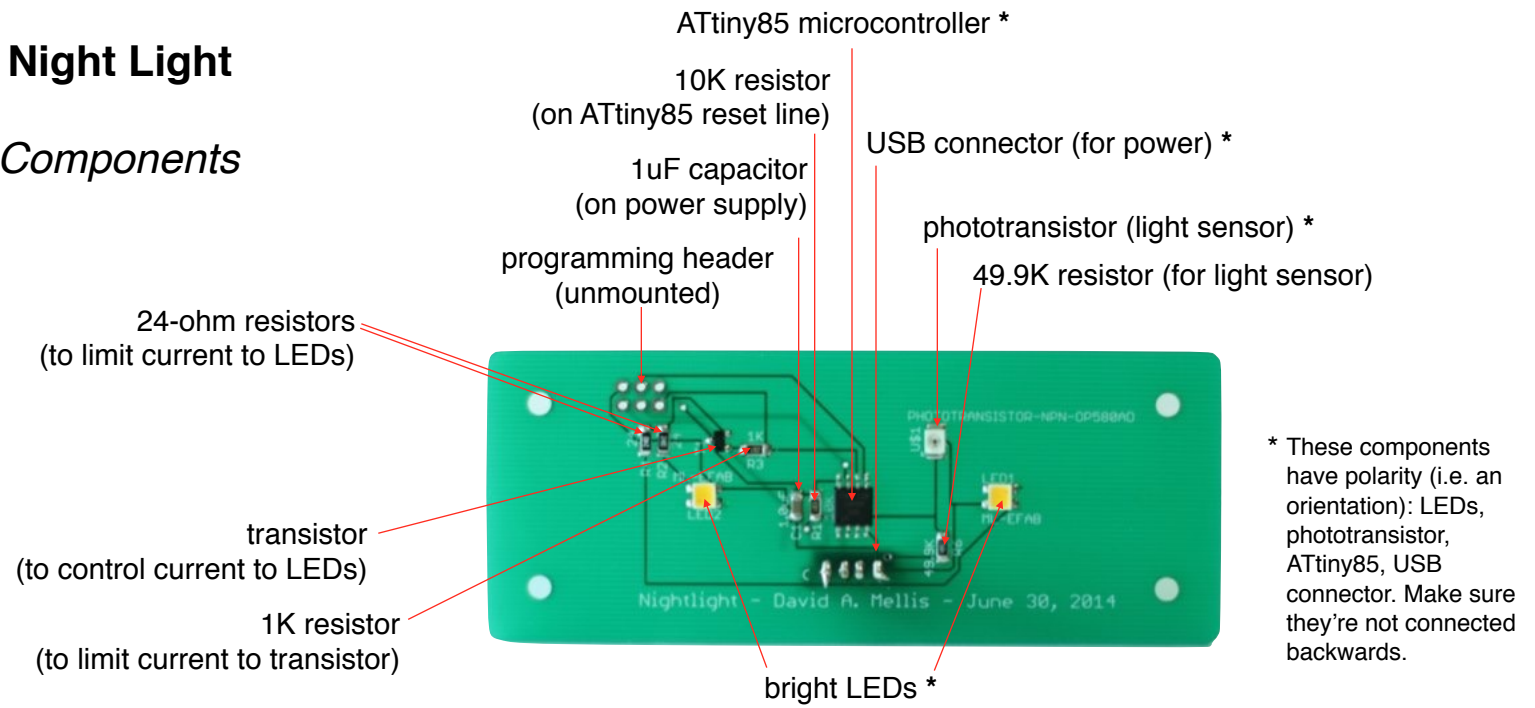
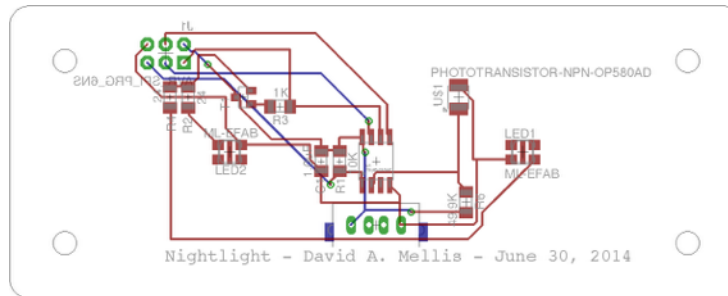


# Night Light

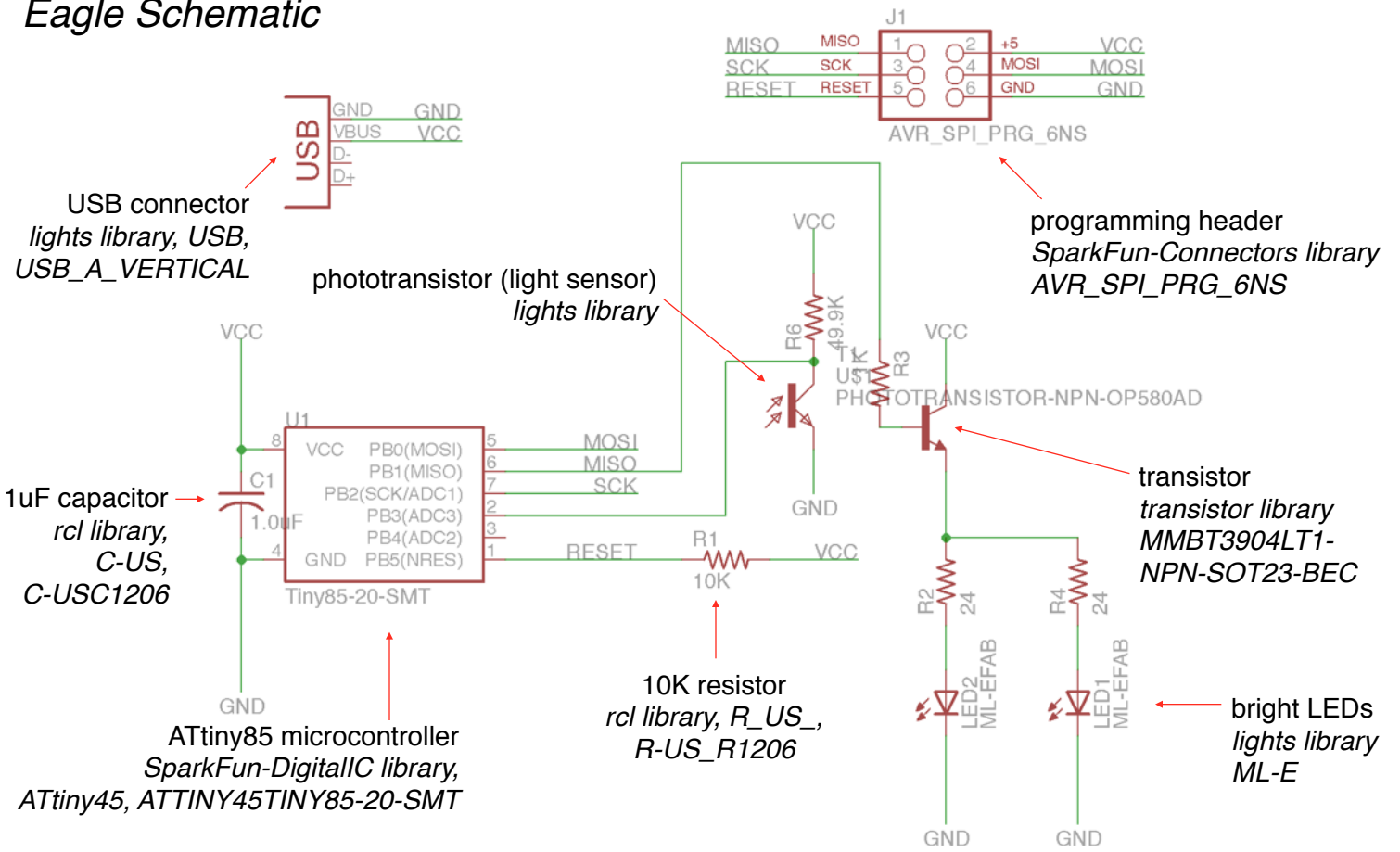
## Components



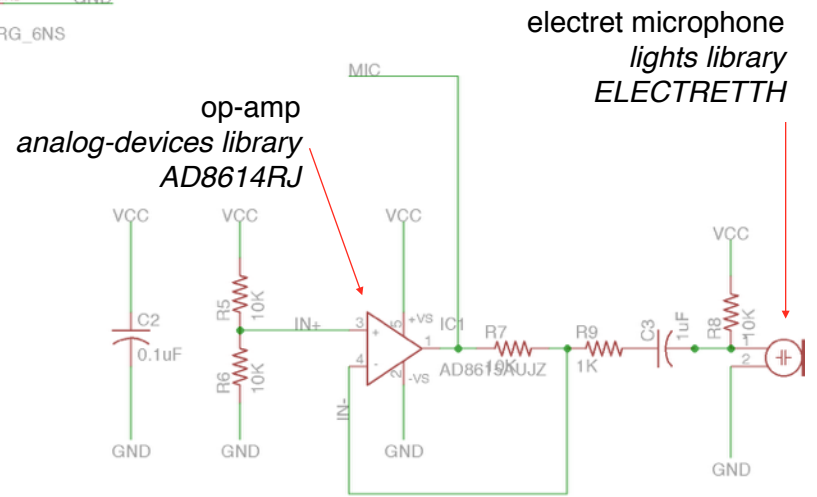
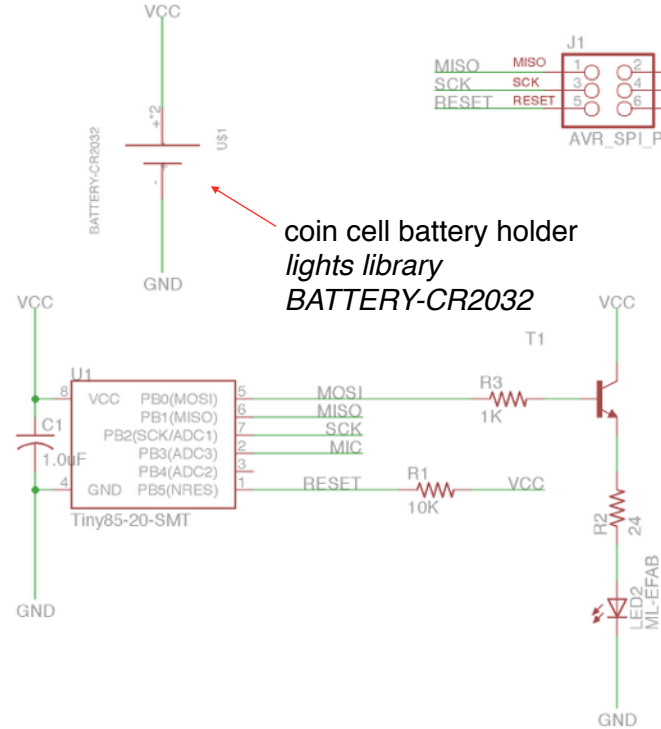
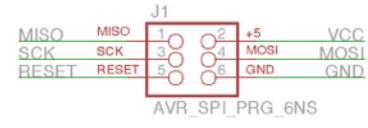
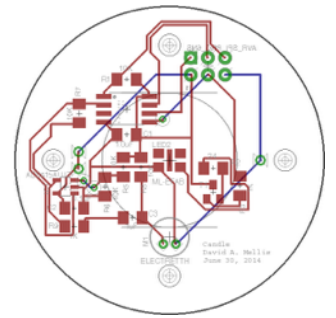
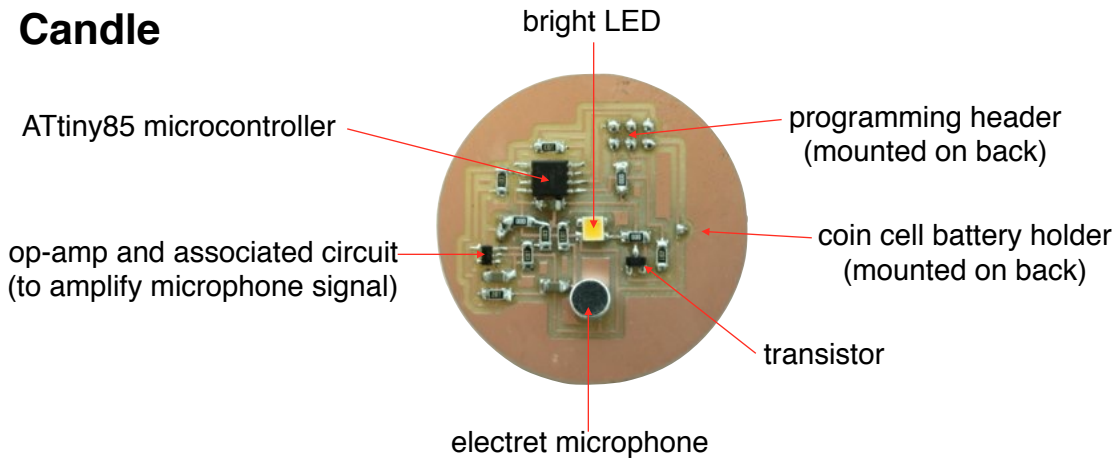
## Eagle Board Layout



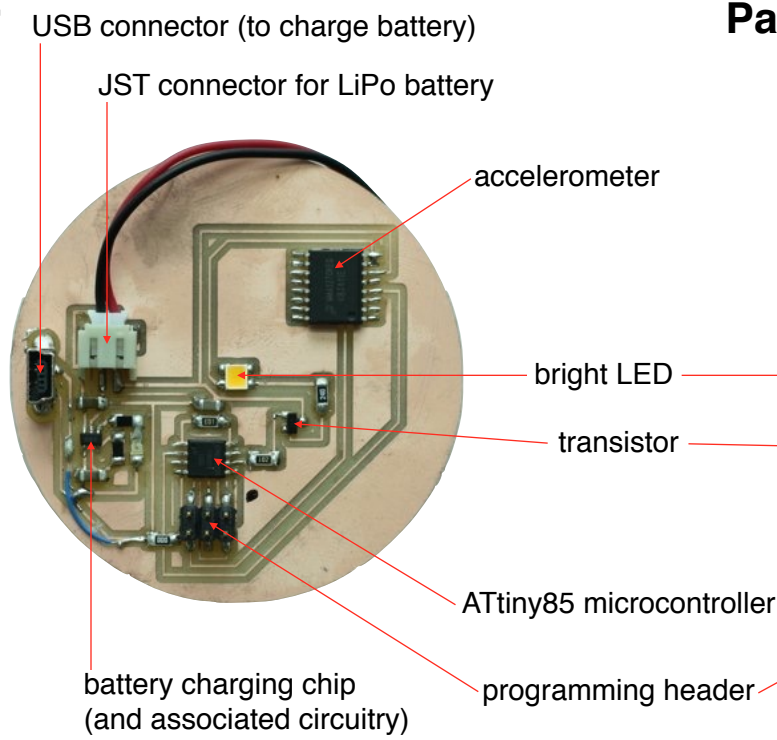
## Eagle Schematic



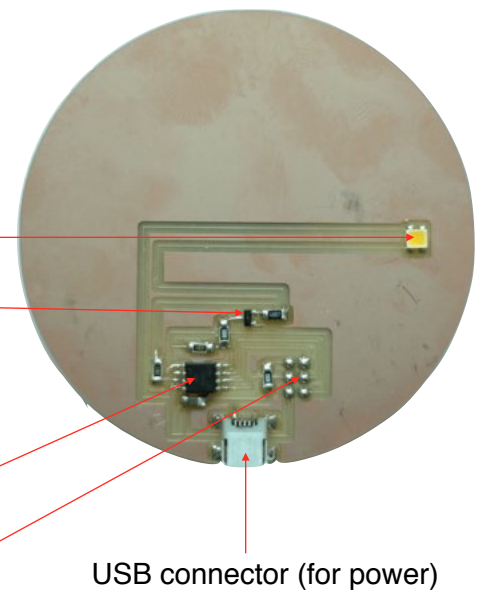
# Candle



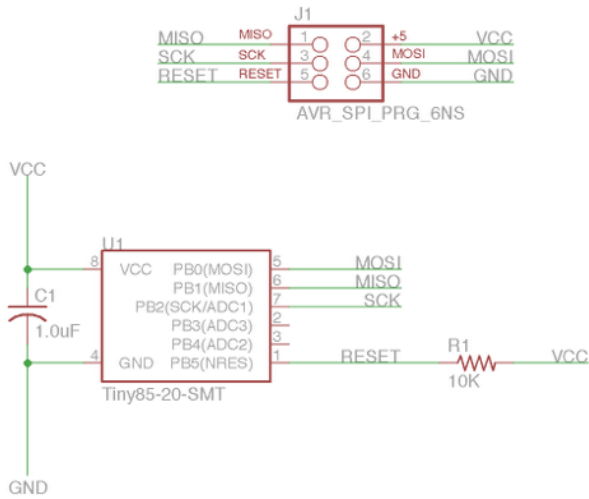
# Jar



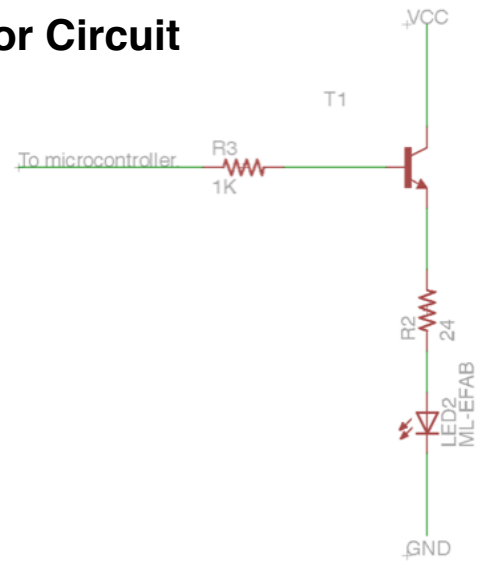
# Pac-Man



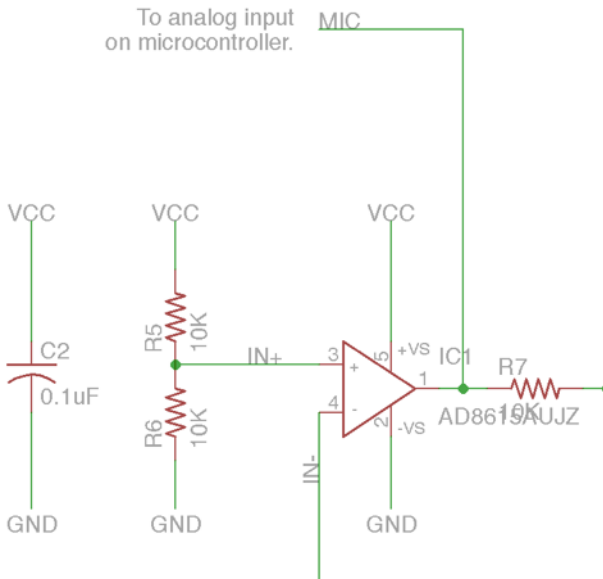
## ATtiny85 Circuit



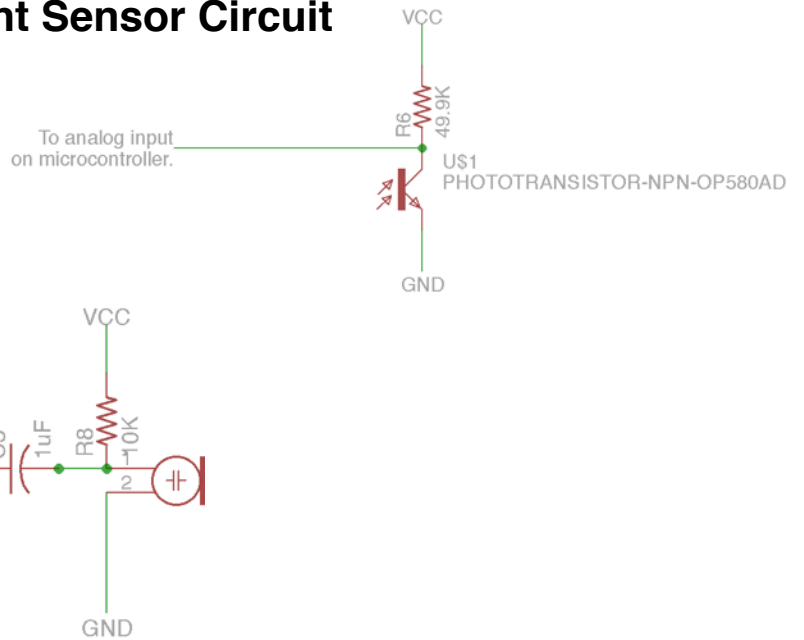
## LED and Transistor Circuit



## Electret Microphone Circuit



## Light Sensor Circuit



## LiPo Battery and Charging Circuit

